

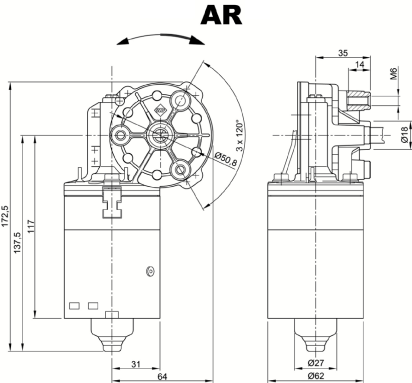
| Design Data           |                |
|-----------------------|----------------|
| Commutation           | Brushed        |
| Direction of rotation | Bi-directional |
| Bearing type          |                |

| Performance data                    |       |      |
|-------------------------------------|-------|------|
| Rated voltage [V]                   | $U_N$ | 24   |
| Nominal torque [Nm]                 | $M_N$ | 4.00 |
| No-load speed [ $\text{min}^{-1}$ ] | $n_0$ | 50.0 |
| Nominal power [W]                   | $P_N$ | 17.7 |
| Nominal current [A]                 | $I_N$ | 2.5  |
| Nominal force [kN]                  | $F_N$ | 0.00 |
| Duty cycle                          |       | s1   |

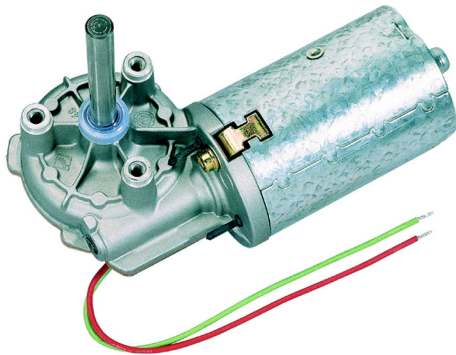
| Sensor data     |   |
|-----------------|---|
| Pulses          | 0 |
| Output channels | 0 |

| Other data             |         |
|------------------------|---------|
| Gear ratio             | 55/1    |
| Gear wheel material    | Plastic |
| Suppression components |         |
| Enclosure class        | IP30    |
| Weight [kg]            | 1.200   |

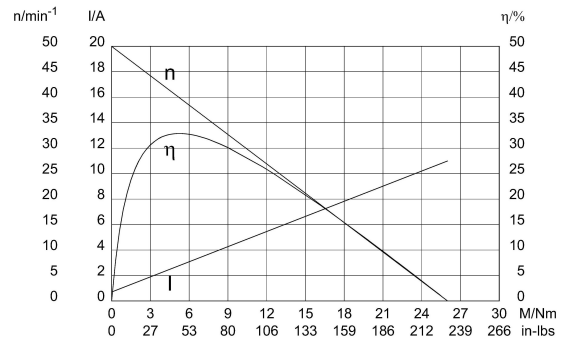
Remarks:



### Motor picture



### Characteristic curves



### Output shaft drawing (W), Wiring diagrams (S) and Connector layout (K)

