

Design Data	
Commutation	Brushed
Direction of rotation	Bi-directional
Bearing type	

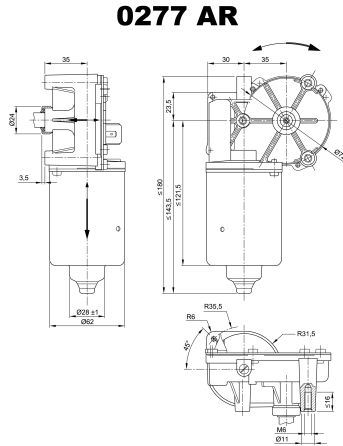
Performance data		
Rated voltage [V]	$U_N$	24
Nominal torque [Nm]	$M_N$	5.00
No-load speed [ $\text{min}^{-1}$ ]	$n_0$	65.0
Nominal power [W]	$P_N$	27.2
Nominal current [A]	$I_N$	4.0
Nominal force [kN]	$F_N$	0.00
Duty cycle	s1	

Sensor data	
Pulses	0
Output channels	0

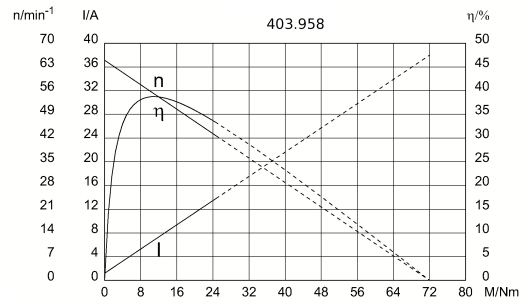
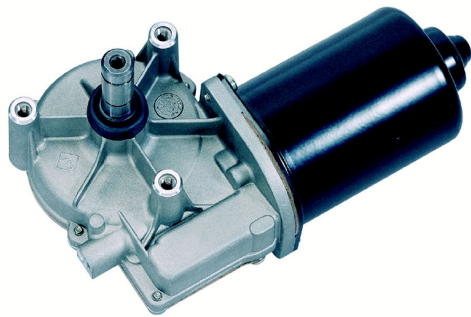
Other data	
Gear ratio	63/1
Gear wheel material	Plastic
Suppression components	4.7 $\mu$ H, 1nF
Enclosure class	IP40
Weight [kg]	1.200

Remarks: Ball bearing

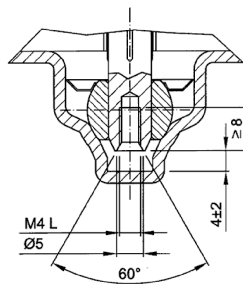
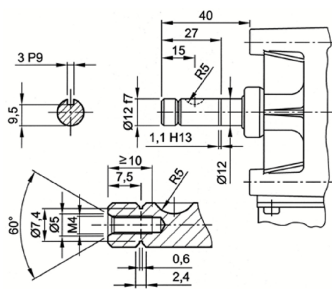
### Characteristic curves



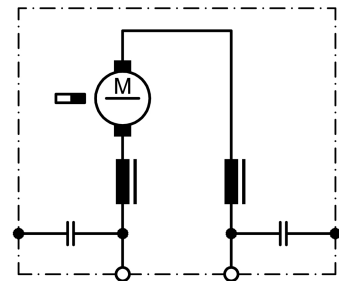
### Motor picture



### Output shaft drawing (W), Wiring diagrams (S) and Connector layout (K)



### S 30



! Lefthand thread

