

Design Data	
Commutation	Brushed
Direction of rotation	Bi-directional
Bearing type	A:Sleeve - B:Sleeve

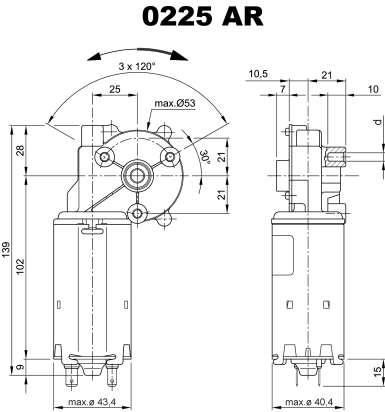
Performance data		
Rated voltage [V]	$U_N$	24
Nominal torque [Nm]	$M_N$	1.00
No-load speed [ $\text{min}^{-1}$ ]	$n_0$	80.0
Nominal power [W]	$P_N$	7.33
Nominal current [A]	$I_N$	1.5
Nominal force [kN]	$F_N$	0.00
Duty cycle	s3	

Sensor data	
Pulses	0
Output channels	0

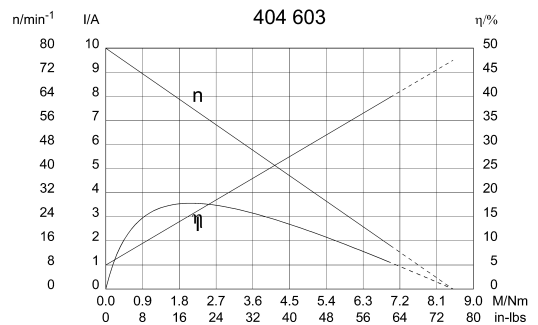
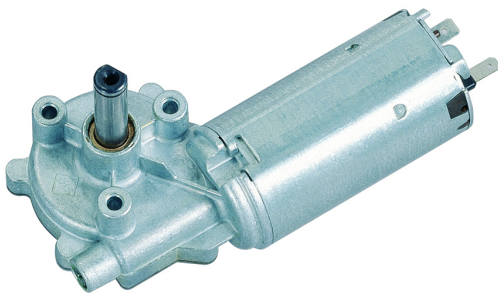
Other data	
Gear ratio	62/1
Gear wheel material	plastic
Suppression components	
Enclosure class	IP 30
Weight [kg]	0.610

Remarks: d=selftapping screw M5

### Characteristic curves

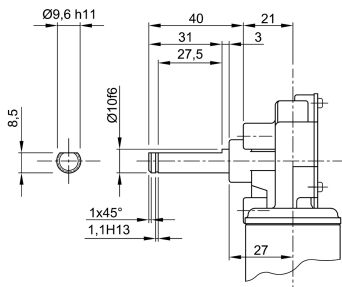


### Motor picture

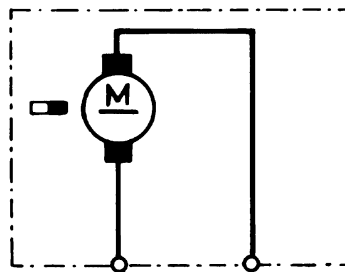


### Output shaft drawing (W), Wiring diagrams (S) and Connector layout (K)

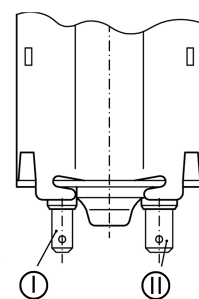
#### W 147



#### S 28



#### K 117



- I - Blade terminal ends 4,8 x 0,8 DIN 46 244
- II - Blade terminal ends 6,3 x 0,8 DIN 46 244