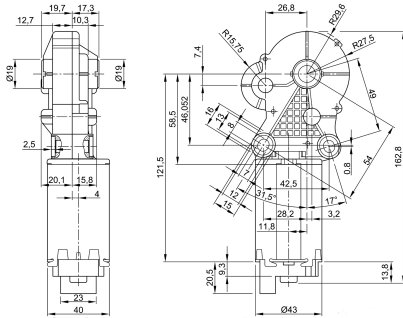


Design Data	
Commutation	Brushed
Direction of rotation	Bi-directional
Bearing type	A:Sleeve - B:Sleeve

Performance data		
Rated voltage [V]	U_N	12
Nominal torque [Nm]	M_N	3.00
No-load speed [min^{-1}]	n_0	21.0
Nominal power [W]	P_N	5.59
Nominal current [A]	I_N	3.5
Nominal force [kN]	F_N	0.00
Duty cycle		s3

0320 BR



Sensor data	
Pulses	210
Output channels	1

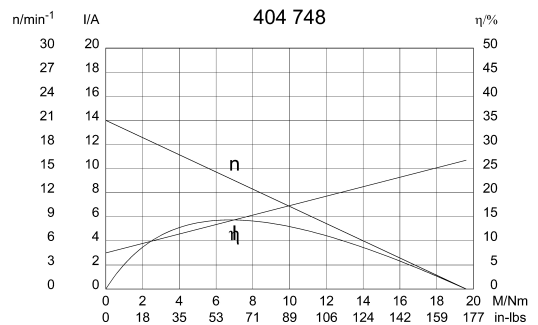
Other data	
Gear ratio	210/1
Gear wheel material	plastic
Suppression components	5,5 μ H, 47nF, (0,47 μ F)
Enclosure class	IP 40
Weight [kg]	0.440

Remarks:

Motor picture

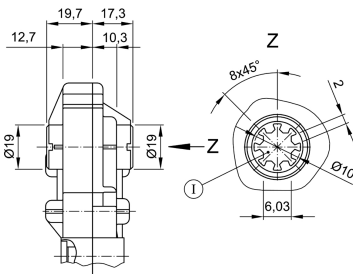


Characteristic curves



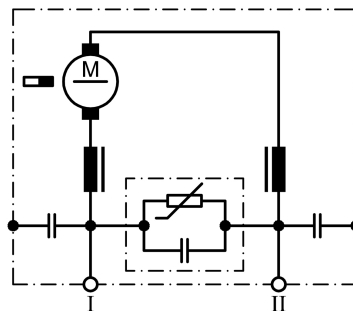
Output shaft drawing (W), Wiring diagrams (S) and Connector layout (K)

W 270



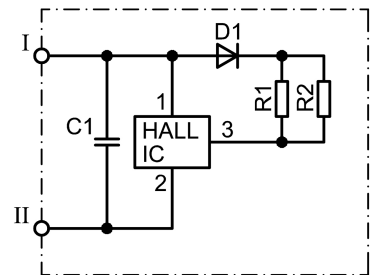
I through profile

S 86



I Terminal 1
 II Terminal 5

S 85



I Terminal 4, Hall-IC +
 II Terminal 2, Hall-IC -

