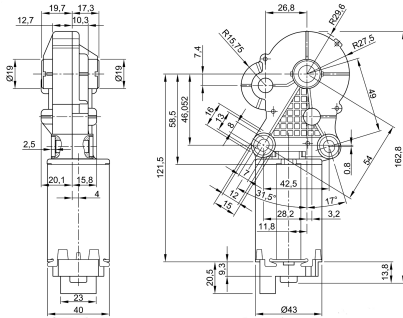


Design Data	
Commutation	Brushed
Direction of rotation	Bi-directional
Bearing type	

Performance data		
Rated voltage [V]	U_N	12
Nominal torque [Nm]	M_N	2.00
No-load speed [min^{-1}]	n_0	21.0
Nominal power [W]	P_N	3.92
Nominal current [A]	I_N	3.5
Nominal force [kN]	F_N	0.00
Duty cycle		s3

0320 BR

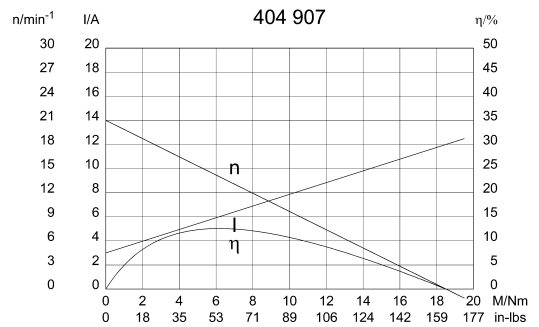


Sensor data	
Pulses	210
Output channels	1

Other data	
Gear ratio	210/1
Gear wheel material	plastic
Suppression components	""
Enclosure class	IP 40
Weight [kg]	0.440

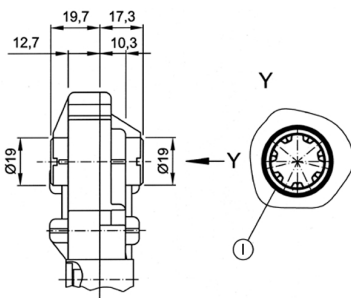
Remarks: Plastic gearbox

Motor picture



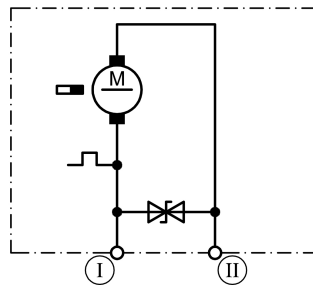
Output shaft drawing (W), Wiring diagrams (S) and Connector layout (K)

W 224



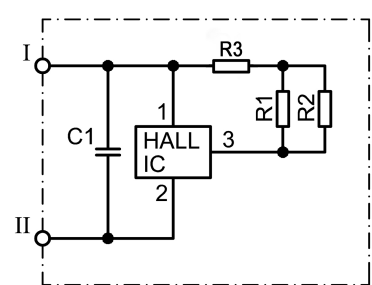
I through Profile KRC 316928 AEIZ 01

S 138



I Terminal 1
 II Terminal 5

S 140



I Terminal 4; Hall-IC +
 II Terminal 2; Hall-IC -

