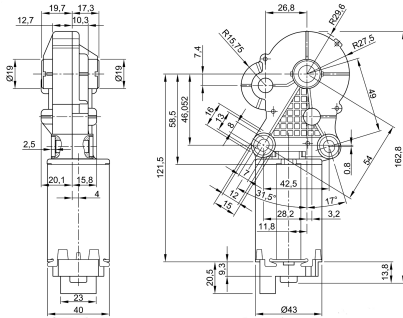


Design Data	
Commutation	Brushed
Direction of rotation	Bi-directional
Bearing type	A:Sleeve - B:Sleeve

Performance data		
Rated voltage [V]	U_N	12
Nominal torque [Nm]	M_N	2.00
No-load speed [min^{-1}]	n_0	23.0
Nominal power [W]	P_N	4.42
Nominal current [A]	I_N	3.0
Nominal force [kN]	F_N	0.00
Duty cycle	s3	

0320 BR



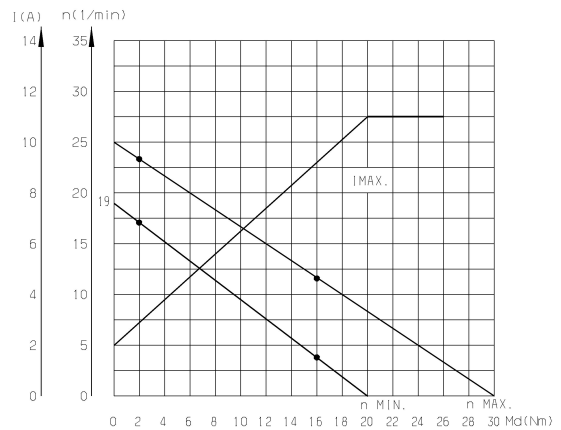
Sensor data	
Pulses	157.5
Output channels	1

Other data	
Gear ratio	157,5/1
Gear wheel material	plastic
Suppression components	5,5 μ H, 47nF
Enclosure class	IP 40
Weight [kg]	0.000

Remarks:

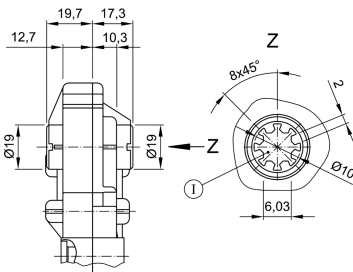
Motor picture

Characteristic curves



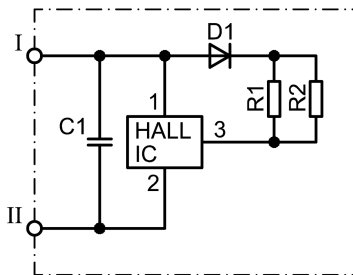
Output shaft drawing (W), Wiring diagrams (S) and Connector layout (K)

W 270



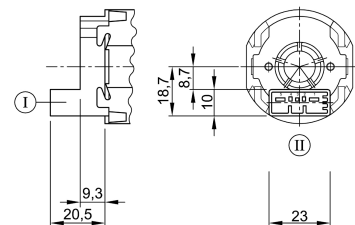
I through profile

S 85



I Terminal 4, Hall-IC +
 II Terminal 2, Hall-IC -

K 220



Connector TYCO C-208-15621 (Z) mating with:
 Connector housing 1379217-3 & cover
 1379218-2
www.tycoelectronics.com